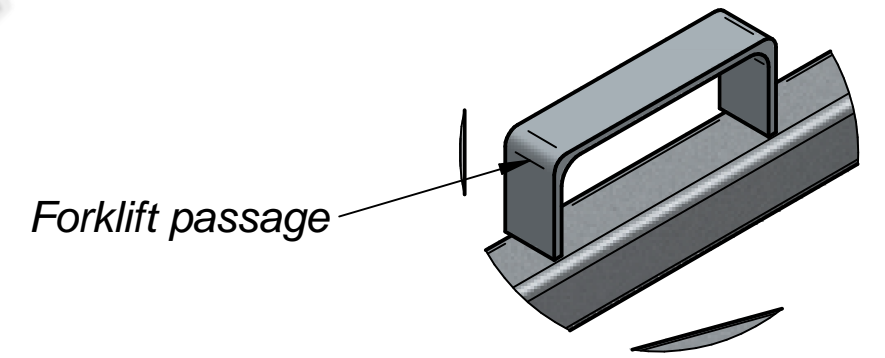
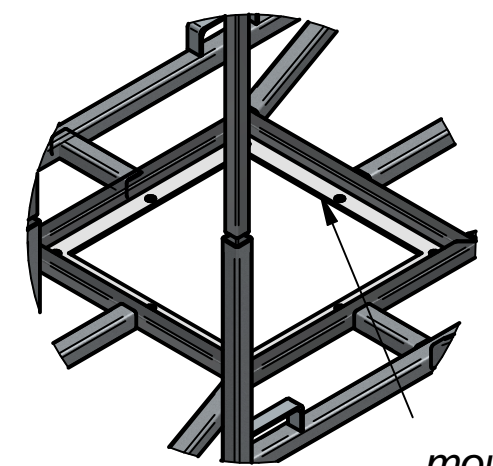
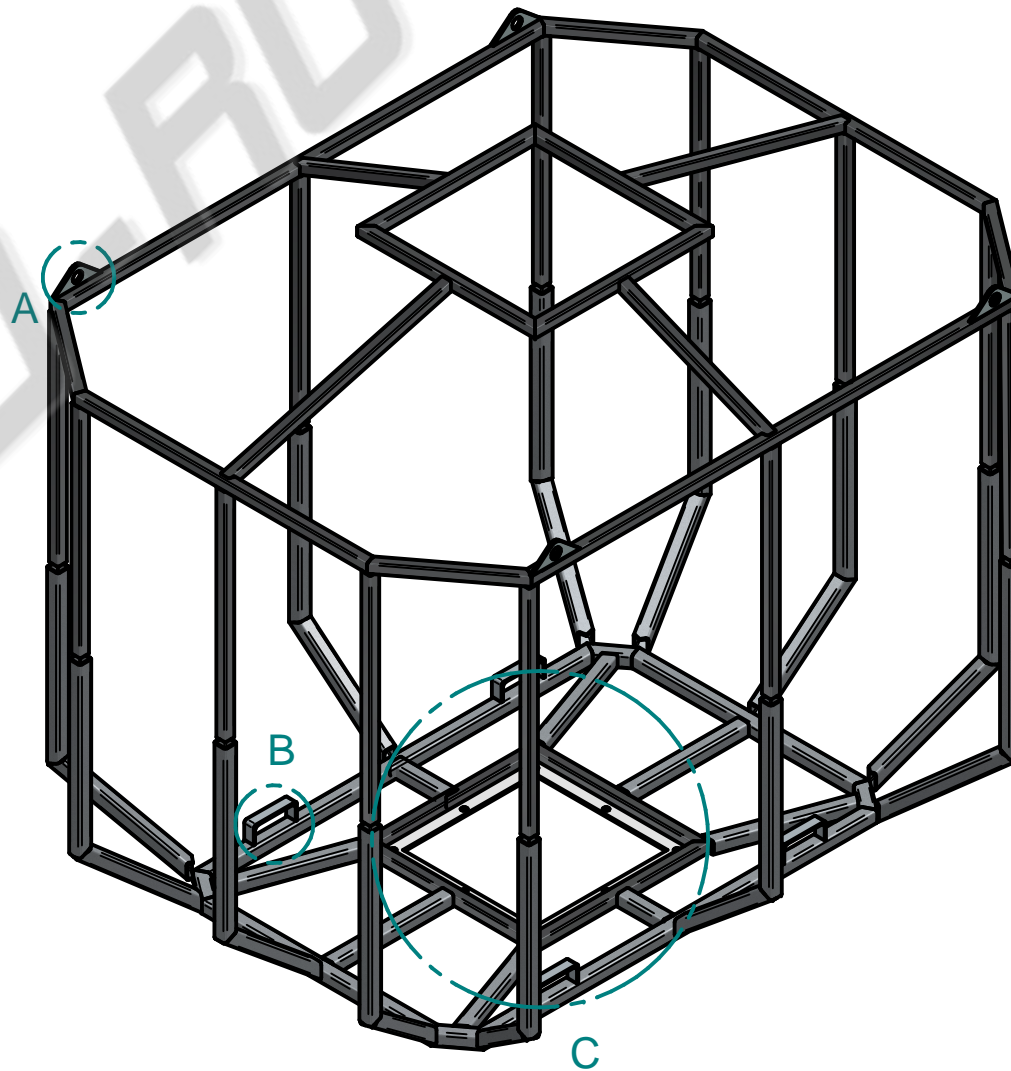
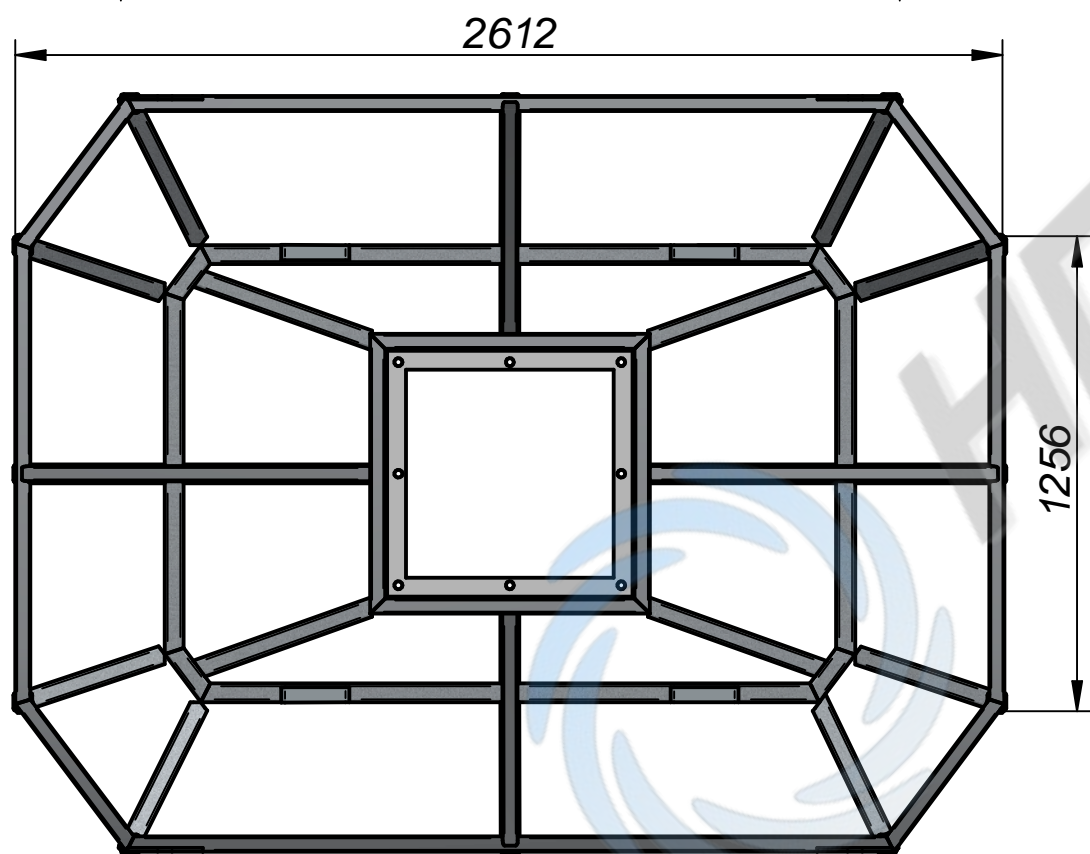


DETAIL VIEW A



DETAIL VIEW B



DETAIL VIEW C



Weight: 231.43 kg | 5000 Horizontal Mold